

LIGHTOREAD P

by Jaime Hayon, 2016

Floor lamp. Structure in blue, black matt, red, or green lacquered steel. Dome in golden matt or glossy, chrome, black chrome electroplated or lacquered. Base in black, red or green marble or lacquered steel. Cob led unit included. Dimmer placed on the electrical cord.

Type: Floor lamp

Environment: Indoor

Structure: Steel

Base: Marble or steel

Voltage: 230 V

Dimmer: Included


Supply: Electrical cord with plug

Cable length: 200 cm

Light Source: LED COB 15W 2700K 1275Lm

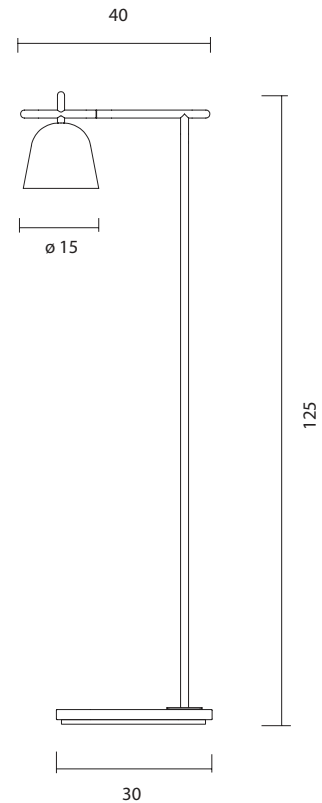
LIGHTOREAD P

317000640961 **black matt - black chrome, black marble base**
317000640961 **black matt - golden glossy, black marble base**

 **6.5 kg**
8 kg

*For dimmable options, please contact office@parachilna.eu

**For other colour combinations contact office@parachilna.eu



CE  IP-20

LIGHTOREAD M

by Jaime Hayon, 2016

Table lamp. Structure in blue, black matt, red, or green lacquered steel. Dome in golden matt or glossy, chrome, black chrome electroplated or lacquered. Base in black, red or green marble or lacquered steel. Cob led unit included. Dimmer placed on the electrical cord.

Type: Table lamp

Environment: Indoor

Structure: Steel

Base: Marble or steel

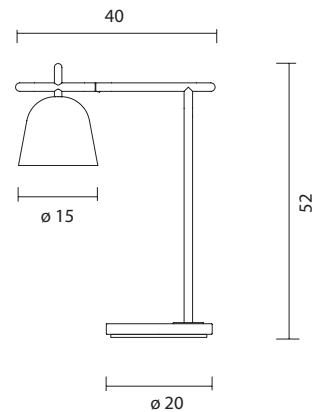
Voltage: 230 V

Dimmer: Included

Supply: Electrical cord with plug

Cable length: 200 cm

Light Source: COB LED 15W 2700K 1275Lm



CE  IP-20

LIGHTOREAD M

213000640961 **black matt - black chrome, black marble base**

213000640963 **black matt - golden glossy, black marble base**

 **5.5 kg**
7 kg

*For dimmable options, please contact office@parachilna.eu

**For other colour combinations contact office@parachilna.eu