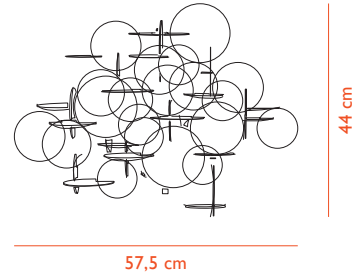


BAU
EU Version



normann
COPENHAGEN

Bau Lamp Small - EU Version



DESCRIPTION

In German, Bau means construction, and it is exactly the Bau lamp's construction that creates its intriguing expression of harmonious disharmonies. The sculptural design is based on interlocking circles, sticking out in all directions. The pattern of the Bau lamp is broken up by the discs' sizes and off-center linkages, making the lamp lively and organic in its appearance.

DESIGN

Vibeke Fonnesberg Schmidt, 2010

MATERIAL

Linden Wood Veneer

CONSTRUCTION

Bau lamp is a self-assembly lamp in two sizes made of 59 / 80 natural wooden parts. The lamp can be assembled without tools, assembly manual included. Assembly manual video:

<https://www.youtube.com/watch?v=IVL-y0gnB94>

<https://www.youtube.com/watch?v=rsfglLF-cgA>

MAINTENANCE

Bau can be cleaned with a duster.

CORD

4 m textile cord, white color.

CANOPY

Included, white color, H: 7,7 x Ø: 9 cm 0,04 kg

DIMMABLE FUNCTION

Yes - with dimmable light source. Ensure your dimmer is compatible with LED.

VOLTAGE
220-240V

MAX LOAD
60 W

FREQUENCY
50/60 Hz

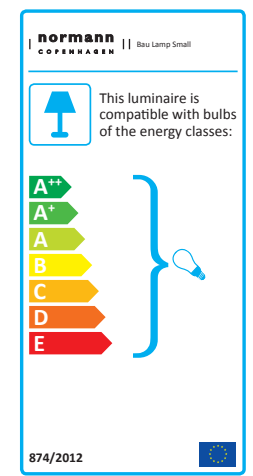
IP RATING
IP20

CLASSIFICATION
Class II

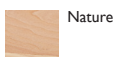
SOCKET
E27

LIGHT SOURCE - RECOMMENDED
Art. No.: 504052, LED E27 EU, not dimmable
Power: 8 W
CCT: 2700 K
Output: 800 lm
Life Span: 15 000 h
CRI: ~80

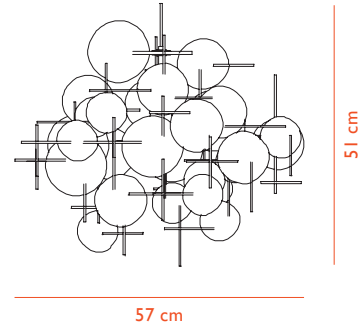
GENERAL STANDARD & CERTIFICATES
EN 60598-2-1:1989
EN 62493: 2015



COLOR



Bau Lamp Large - EU Version



DESCRIPTION

In German, Bau means construction, and it is exactly the Bau lamp's construction that creates its intriguing expression of harmonious disharmonies. The sculptural design is based on interlocking circles, sticking out in all directions. The pattern of the Bau lamp is broken up by the discs' sizes and off-center linkages, making the lamp lively and organic in its appearance.

DESIGN

Vibeke Fonnesberg Schmidt, 2010

MATERIAL

Linden Wood Veneer

CONSTRUCTION

Bau lamp is a self-assembly lamp in two sizes made of 59 / 80 natural wooden parts. The lamp can be assembled without tools, assembly manual included. Assembly manual video:

<https://www.youtube.com/watch?v=IVL-y0gnB94>

<https://www.youtube.com/watch?v=rsfglLF-cgA>

MAINTENANCE

Bau can be cleaned with a duster.

CORD

4 m textile cord, white color.

CANOPY

Included, white color, H: 7,7 x Ø: 9 cm 0,04 kg

DIMMABLE FUNCTION

Yes - with dimmable light source. Ensure your dimmer is compatible with LED.

VOLTAGE
220-240V

MAX LOAD
60 W

FREQUENCY
50/60 Hz

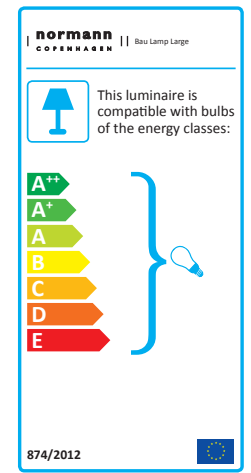
IP RATING
IP20

CLASSIFICATION
Class II

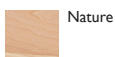
SOCKET
E27

LIGHT SOURCE - RECOMMENDED
Art. No.: 504052, LED E27 EU, not dimmable
Power: 8 W
CCT: 2700 K
Output: 800 lm
Life Span: 15 000 h
CRI: ~80

GENERAL STANDARD & CERTIFICATES
EN 60598-2-1:1989
EN 62493: 2015



COLOR

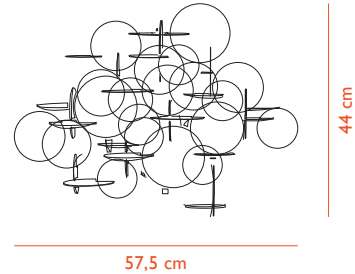


BAU
US Version



normann
COPENHAGEN

Bau Lamp Small - US Version



DESCRIPTION

In German, Bau means construction, and it is exactly the Bau lamp's construction that creates its intriguing expression of harmonious disharmonies. The sculptural design is based on interlocking circles, sticking out in all directions. The pattern of the Bau lamp is broken up by the discs' sizes and off-center linkages, making the lamp lively and organic in its appearance.

DESIGN

Vibeke Fonnesberg Schmidt, 2010

MATERIAL

Linden Wood Veneer

CONSTRUCTION

Bau lamp is a self-assembly lamp in two sizes made of 59 / 80 natural wooden parts. The lamp can be assembled without tools, assembly manual included. Assembly manual video:

<https://www.youtube.com/watch?v=IVL-y0gnB94>

<https://www.youtube.com/watch?v=rsfglLF-cgA>

MAINTENANCE

Bau can be cleaned with a duster.

CORD

4 m textile cord, white color.

CANOPY

Included, white color, H: 7,7 x Ø: 9 cm 0,04 kg

DIMMABLE FUNCTION

Yes - with dimmable light source. Ensure your dimmer is compatible with LED.

VOLTAGE

120V

MAX LOAD

60 W

FREQUENCY

60 Hz

IP RATING

IP20

CLASSIFICATION

Class I

SOCKET

E26

LIGHT SOURCE - RECOMMENDED

Art. No.: 504062, LED E26 US, not dimmable

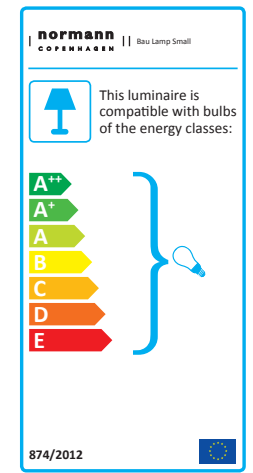
Power: 8 W

CCT: 2700 K

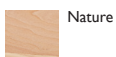
Output: 800 lm

Life Span: 15 000 h

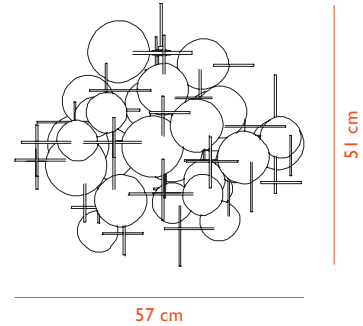
CRI: ~80



COLOR



Bau Lamp Large - US Version



DESCRIPTION

In German, Bau means construction, and it is exactly the Bau lamp's construction that creates its intriguing expression of harmonious disharmonies. The sculptural design is based on interlocking circles, sticking out in all directions. The pattern of the Bau lamp is broken up by the discs' sizes and off-center linkages, making the lamp lively and organic in its appearance.

DESIGN

Vibeke Fonnesberg Schmidt, 2010

MATERIAL

Linden Wood Veneer

CONSTRUCTION

Bau lamp is a self-assembly lamp in two sizes made of 59 / 80 natural wooden parts. The lamp can be assembled without tools, assembly manual included.

Assembly manual video:

<https://www.youtube.com/watch?v=IVL-y0gnB94>

<https://www.youtube.com/watch?v=rsfglLF-cgA>

MAINTENANCE

Bau can be cleaned with a duster.

CORD

4 m textile cord, white color.

CANOPY

Included, white color, H: 7,7 x Ø: 9 cm 0,04 kg

DIMMABLE FUNCTION

Yes - with dimmable light source. Ensure your dimmer is compatible with LED.

VOLTAGE

120V

MAX LOAD

60 W

FREQUENCY

60 Hz

IP RATING

IP20

CLASSIFICATION

Class I

SOCKET

E26

LIGHT SOURCE - RECOMMENDED

Art. No.: 504062, LED E26 US, not dimmable

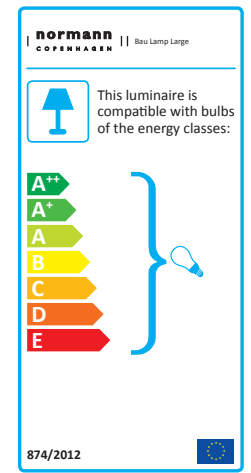
Power: 8 W

CCT: 2700 K

Output: 800 lm

Life Span: 15 000 h

CRI: ~80



COLOR

