

TECHNICAL SPECIFICATION

Gaulino Chair

OSCAR TUSQUETS
2011



COMPONENTS, MATERIALS & FINISHES:

STRUCTURE AND BACK REST in varnished (matt) solid ash available in three finishes: natural, oak and or black.

SEAT in plywood and upholstered in leather available in three finishes: natural, honey and or black.

DIMENSIONS & WEIGHTS:

Chair: 550x510xh.835mm. (6Kg.)

PACKAGING:

All models are sent stacked in twos, packed in a cardboard box.

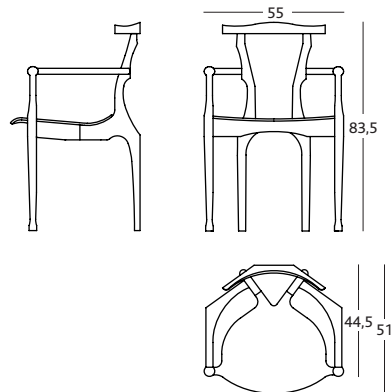
CERTIFICATES:

This product meets the requirements outlined in UNE EN 15373:07, level 1 for moderate public use.

CLEANING AND MAINTENANCE:

The wood must always be cleaned with a slightly humid cloth and dried with a cotton cloth.

The leather seat must be cleaned with a cotton, dry cloth (we suggest a white cloth). For maintenance it is recommended that a natural colourless wax be applied.



MEASUREMENTS IN CM



BD Barcelona Design

Ramon Turró, 126 / 08005 Barcelona
Tel +34 93 458 69 09 / Fax +34 93 207 36 97
bd@bdbarcelona.com / www.bdbarcelona.com

Technical Department

Carretera Capellades / km 22,750
Narcís Monturiol, 7 / Pol. Ind Sesrovires
Sant Esteve de Sesrovires / 08635 Barcelona
Tel +34 93 771 30 51 / Fax +34 93 771 32 32