

TECHNICAL SPECIFICATION

BDlove lamp

ROSS LOVEGROVE
2003



COMPONENTS and MATERIALS:

BASE made of en Polyethylene (MDPE) of 8-9 mm thickness, of medium density, mass pigmented in different colours.

The part processing system is rotational moulding.

The base contains 8 stainless steel inserts.

The piece has a seating capacity for three people.

CONNECTING RING, between base and panel, made of gravity die cast aluminium (Al 2560), with a later satin polish. The part houses the light source on the inside. The connecting ring is fixed to the base using 4 stainless steel screws.

DIFUSSING PANEL made of natural Polyethylene (MDPE), with an additive against UV rays and contains 8 stainless steel inserts. Panel easy to dismantle by unscrewing to replace the light source. The panel is secured to the connecting ring using 8 stainless screws.

ELECTRICAL EQUIPMENT, it includes a Halogen High Voltage 100W 230V bulb, 30° opening, E-27 tip. Led bulb 10W, optional. 4 metres of tubing are supplied for connection to the mains supply with SCHUKO European-sized rubber plug of 10 to 16A. Characteristics:

EUROPE 230V 50Hz

USA / JAPAN 120/125V 60Hz

IP 65



WATERTIGHT SEAL, in EPDM (cellular rubber seal).

LOWER COVER made of plastic. This is dual purpose: Electricity cable outlet and protection and makes the ballasting down of the base in sand easier.

NON-SLIP STOPPERS in EPDM (rubber), wich will always be supplied with the lamp (4u). Secured using stainless steel bolts.

POLYETHYLENE PEGS for ballasting, (2u).

POLYETHYLENE TRI-SURE PEG with rubber O-ring seal for emptying the sand, (1u).

FINISHES:

Standard colours: green (P-373 U) and millstone (dark grey granite structured).

Special colours: according to client requirements, minimum order of 4 units.

DIMENSIONS and WEIGHTS:

Bdlove lamp: 141 x 120 x h. 300 cm (Seat: h. 42 cm) / 45 kg

1 base -without panel-: 141 x 120 x h. 150 cm / 33 kg

Stacking 2 bases -without panel-: 141 x 120 x h. 197 cm

The height (h) will increase by 14 cm when the lamps are on pallets.

PACKAGING:

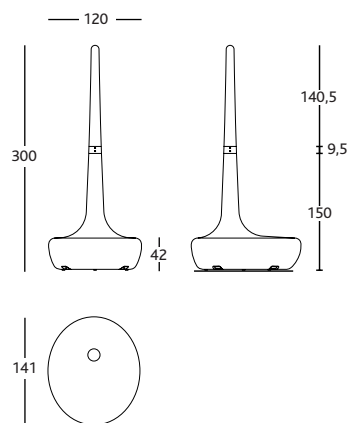
For one two bases, always delivered duly protected and on pallets. (Maximum 2 stacked bases per pallet). The diffusing panel is delivered duly protected. The connecting ring and other components are delivered in a cardboard box.

Capacity for a 6 metres standard container:

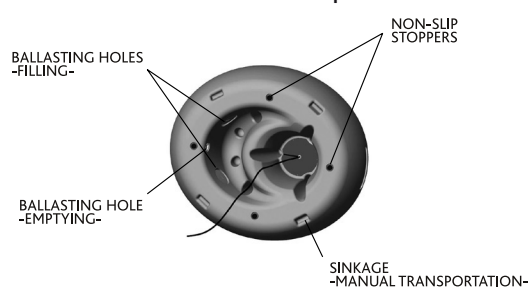
(6 x 2'34 x h. 2'38 m) / 10 units

BALLASTING:

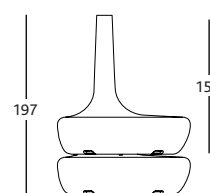
The base only can be ballasted with washed sand, (max. 100kg).



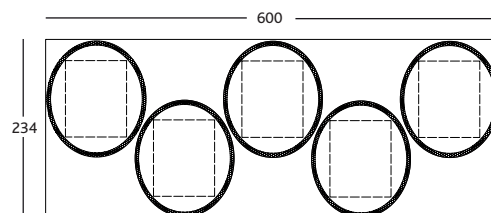
INFERIOR VIEW Lamp base



MAXIMUM STACKED



CAPACITY IN A STANDARD CONTAINER



MEDIDAS EN CM



BD Barcelona Design

Ramon Turró, 126 / 08005 Barcelona

Tel +34 93 458 69 09 / Fax +34 93 207 36 97

bd@bdbarcelona.com / www.bdbarcelona.com

Oficina Técnica

Carretera Capellades / km 22,750

Narcís Monturiol, 7 / Pol. Ind Sesrovires

Sant Esteve de Sesrovires / 08635 Barcelona

Tel +34 93 771 30 51 / Fax +34 93 771 32 32

TESTS:

TESTS carried out at AIDIMA:



In compliance with the UNE-EN-112017 "Resistance to rust in salt mist atmospheres", the test certifies the inalterability of the material.

In compliance with the ISO 4892 "Test method determine the effects caused by ultraviolet radiation". The test certifies that the material complies with the demands of the test, its characteristics remaining stable except for its red colour.

In compliance with the UNE-EN 60598-1:01 "Glow wire test", the test carried out certifies that the material, after being exposed to a glow wire tip temperature of 650°C, produces no drips that ignite a sheet of silk paper located directly under it.

In compliance with the UNE-EN 1021-1:94 "Assessment of the inflammability of Furniture. Source of ignition: A lit cigarette", the test certifies that the material presents no inflammability.

In compliance with the UNE-EN 1021-2:94 "Assessment of the inflammability of Furniture. Source of ignition: A lit match", the test certifies that the material presents no inflammability.



In compliance with the UNE EN 60598-2-7:97 "Portable luminaires for garden use" and the UNE EN 60598-1:01 "Luminaires, general requirements and tests".

SPECIFIC CHARACTERISTICS OF :

The polyethylene (MDPE) is a thermo-plastic from the polyolefin family. Polyethylene has high mechanical resistance, is not toxic and does not pollute. Furthermore, it has optimum chemical resistance characteristics as no solvent can dissolve it at room temperature.

The products manufactured in this material, thanks to its resistance to atmospheric agents, can be kept outside. Sharp or cutting objects can scratch the surface of the polyethylene, as with other materials such as wood or metal.

Density:	0'934 g/cc
MFI: (190°C / 2,16kg):	4g/10mm
HDT:	58°C
Tensile strength:	16 mpa
Bending module:	550 mpa

RESISTANCE TO HIGH TEMPERATURES:

Polyethylene is a non-inflamable, self-extinguishing thermo-plastic. Its resistance to high temperatures is limited and, therefore, it should be kept away from sources of very high heat. The lamp must not be exposed to temperatures outside the following range (-20°C...80°C).

CLEANING:

The surfaces of thermo-plastics are easily cleaned with a damp cloth soaked in water and soap or with commercial liquid detergents. Products containing the following must be avoided: acetone, trichloroethylene, ammonia and ethyl alcohol (may cause colour variations).



BD Barcelona Design

Ramon Turró, 126 / 08005 Barcelona
Tel +34 93 458 69 09 / Fax +34 93 207 36 97
bd@bdbarcelona.com / www.bdbarcelona.com

Technical Department

Carretera Capellades / km 22,750
Narcís Monturiol, 7 / Pol. Ind Sesrovires
Sant Esteve de Sesrovires / 08635 Barcelona
Tel +34 93 771 30 51 / Fax +34 93 771 32 32