



Product

Information

Less is more - that's Jasper Morrison's claim when it comes to design. The Air-Family impresses with its simple design in both form and function. Table and chairs are made of polypropylene and manufactured using gas-injection moulding.

All the products of the family are strong, durable, lightweight and perfect for domestic use and contracts (bars and restaurants). Practical and easy to clean you'll be able to storage them in small space and to use when you need.



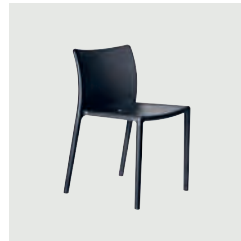
White 1730 C



Beige 1450 C



Orange 1086 C



Black 1751 C



White 1730 C



Beige 1450 C



Orange 1086 C



Grey anthracite 1418 C



White 1730 C



Orange 1086 C



White 1730 C

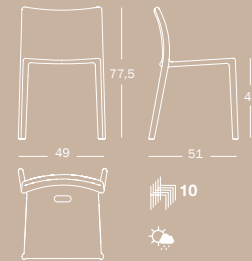


White 1730 C

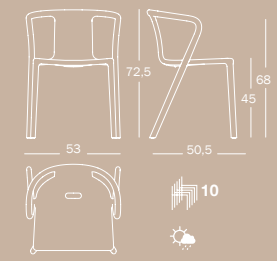


Beige 1450 C

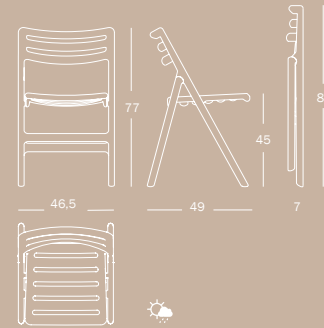
Air-Chair



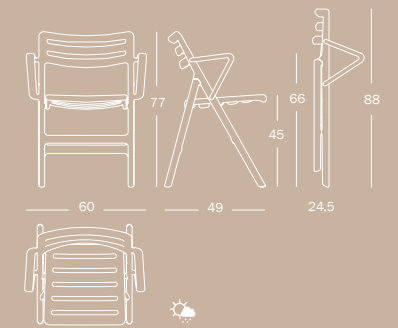
Air-Armchair



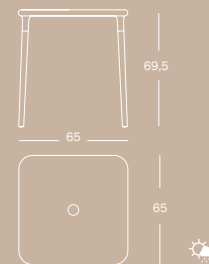
Folding Air-Chair



Folding Air-Chair w/ arms



Air-Table



PRODUCT CARE

We recommend using a soft rag, either dry or wet. When needed, use ph-balanced soap diluted in water. Do not use abrasive sponges as they may leave scratches. Avoid using acidic products, solvents and products containing ammonia. Periodic and correct maintenance and cleaning allows the product to keep its original look and lengthens the duration of its performance.

WARNING

Do not use different cleaning products from the ones mentioned above. Do not use the product in an improper way. Do not place hot objects on it, sit on the back and/or on the arms, stand on it or use the product as a ladder. Once dis-used, please make sure that this product is disposed in an environment-friendly way.