

DENGLONG P PE IN

by Neri&Hu, 2016

Floor lamp. Anthracite lacquered aluminium structure and steel mesh. Top disc in gold lacquered aluminium. Fiberglass diffuser. Architectural concrete base, black or grey. Led module included.

Type: Floor lamp

Environment: Indoor

Structure: Aluminium and steel mesh

Diffuser: Fiberglass

Voltage: 120 V


Supply: Electrical cord with plug

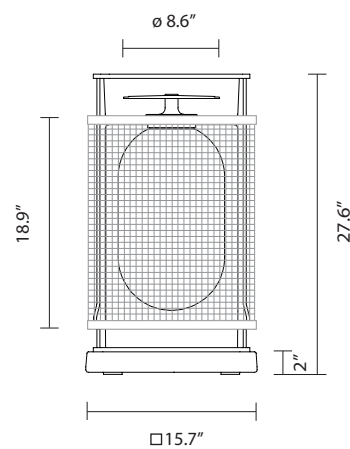
Cable length: 78.7"

Light source: Module LED $\varnothing 46$ 8.5W 3000K 680Lm

DENGLONG P PE IN

313030640974 anthracite, grey base
313030640975 anthracite, black base

 21 kg
25 kg



CE  IP-20

DENGLONG P PE OUT

by Neri&Hu, 2016

Floor lamp. Anthracite lacquered aluminium structure and steel mesh. Top disc in gold lacquered aluminium. Fiberglass diffuser. Architectural concrete base, black or grey. Led module included.

Type: Floor lamp

Environment: Outdoor

Structure: Aluminium and steel mesh

Diffuser: Fiberglass

Voltage: 120 V


Supply: Electrical cord with plug

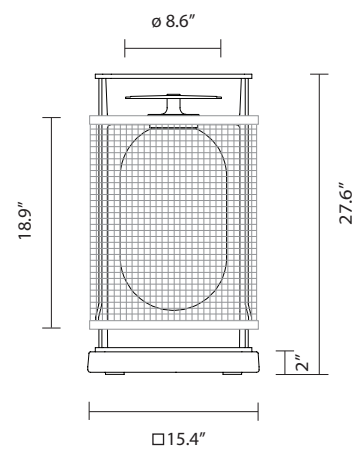
Cable length: 78.7"

Light source: Module LED $\varnothing 46$ 8.5W 3000K 680Lm

DENGLONG P PE OUT

503030640974 anthracite, grey base
503030640975 anthracite, black base

 21 kg
25 kg



 IP-65

DENGLONG P GR IN

by Neri&Hu, 2016

Floor lamp. Anthracite lacquered aluminium structure and steel mesh. Top disc in gold lacquered aluminium. Fiberglass diffuser. Architectural concrete base, black or grey. Led module included.

Type: Floor lamp

Environment: Indoor

Structure: Aluminium and steel mesh

Diffuser: Fiberglass

Voltage: 120 V


Supply: Electrical cord with plug

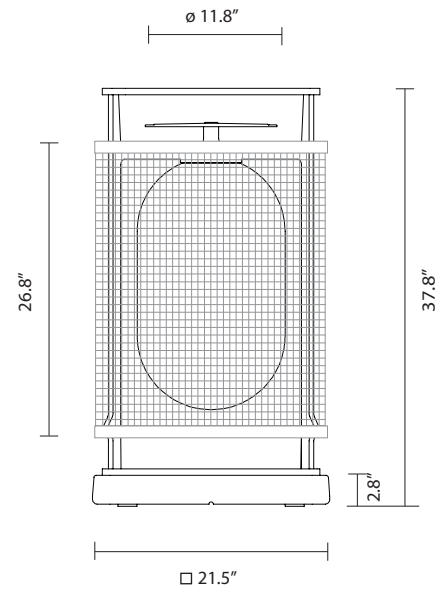
Cable length: 78.7"

Light source: Module LED $\varnothing 70$ 16.6W 3000K 1350Lm

DENGLONG P GR IN

314030640974 anthracite, grey base
314030640975 anthracite, black base

 48 kg
52 kg



 IP-20

DENGLONG P GR OUT

by Neri&Hu, 2016

Floor lamp. Anthracite lacquered aluminium structure and steel mesh. Top disc in gold lacquered aluminium. Fiberglass diffuser. Architectural concrete base, black or grey. Led module included.

Type: Floor lamp

Environment: Outdoor

Structure: Aluminium and steel mesh

Diffuser: Fiberglass

Voltage: 120 V


Supply: Electrical cord with plug

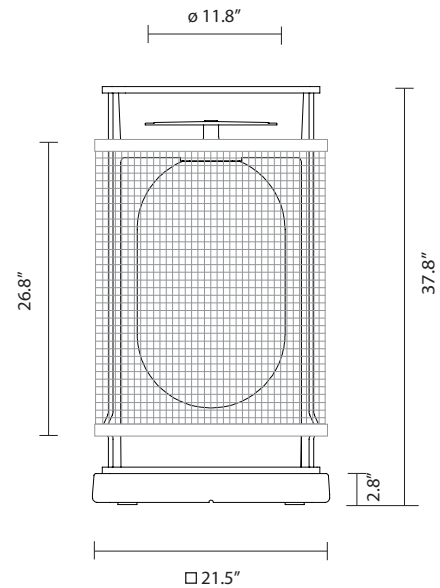
Cable length: 78.7"

Light source: Module LED $\varnothing 70$ 16.6W 3000K 1350Lm

DENGLONG P GR OUT

504030640974 anthracite, grey base
504030640975 anthracite, black base

 48 kg
52 kg



 IP-65