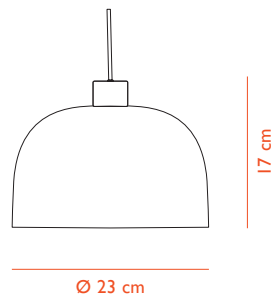


Grant Pendant Ø23 cm - US Version



DESCRIPTION

The Grant pendant lamps in two sizes provide ample opportunity for lighting up spaces of various size and character. Due to the dispersion lens, the pendants can be hung high without blinding. An aesthetic and space-optimizing lighting solution, the Grant wall lamps have arms that move from right to left and lampshades that can be tipped up and down, allowing the lamps to take up several different positions.

DESIGN

Simon Legald, 2018

MATERIAL

Brass Plated Steel / Black Plated Steel / Granite

CONSTRUCTION

The six versions of Grant collection are constructed with a replaceable low-energy LED light source with dispersion lens, which is attached with small brass finger screws. The wall lamp versions can move from side to side (ca. 180 degrees). A ball joint connection on the table and floor lamp allows the lampshades to be positioned in diverse directions.

MAINTENANCE

Clean with damp cloth. Avoid use of all-purpose cleaners and other degreasing detergents.

CORD

4 m textile cord, black color.

CANOPY

Included, black color, H: 7,7 x Ø: 9 cm 0,04 kg

DIMMABLE FUNCTION

Yes - Ensure your dimmer is compatible with LED.

VOLTAGE

120V

MAX LOAD

7W

FREQUENCY

60 Hz

IP RATING

IP20

CLASSIFICATION

Class I

SOCKET

GX53

LIGHT SOURCE - INCLUDED

LED included: GX53 Art. No.: 502028

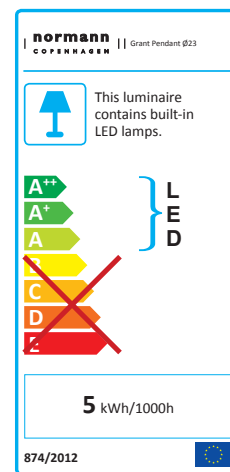
Power: 5W±10%

CCT: 3 000 K

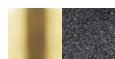
Output: 400 lm ±10%

Life Span: 15 000-20 000

CRI: ~80



COLOR

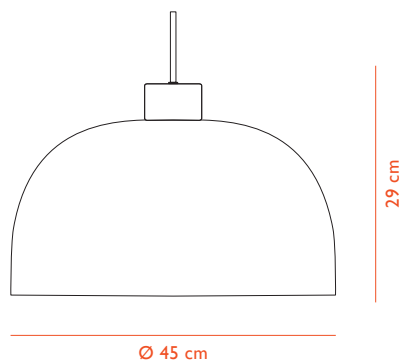


Brass /
Granite



Black /
Granite

Grant Pendant Ø45 cm - US Version



DESCRIPTION

The Grant pendant lamps in two sizes provide ample opportunity for lighting up spaces of various size and character. Due to the dispersion lens, the pendants can be hung high without blinding. An aesthetic and space-optimizing lighting solution, the Grant wall lamps have arms that move from right to left and lampshades that can be tipped up and down, allowing the lamps to take up several different positions.

DESIGN

Simon Legald, 2018

MATERIAL

Brass Plated Steel / Black Plated Steel / Granite

CONSTRUCTION

The six versions of Grant collection are constructed with a replaceable low-energy LED light source with dispersion lens, which is attached with small brass finger screws. The wall lamp versions can move from side to side (ca. 180 degrees). A ball joint connection on the table and floor lamp allows the lampshades to be positioned in diverse directions.

MAINTENANCE

Clean with damp cloth. Avoid use of all-purpose cleaners and other degreasing detergents.

CORD

4 m textile cord, black color.

CANOPY

Included, black color, H: 7,7 x Ø: 9 cm 0,04 kg

DIMMABLE FUNCTION

Yes - Ensure your dimmer is compatible with LED.

VOLTAGE

120V

MAX LOAD

7W

FREQUENCY

60 Hz

IP RATING

IP20

CLASSIFICATION

Class I

SOCKET

GX53

LIGHT SOURCE - INCLUDED

LED included: GX53 Art. No.: 502029

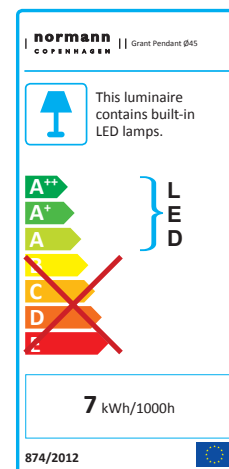
Power: 7W±10%

CCT: 3 000 K

Output: 610lm ±10%

Life Span: 15000-20000

CRI: ~80



COLOR

