

PH 5 Mini

The fixture provides 100% glare-free light. Its design is based on the principle of a reflective three-shade system, which directs majority of the light downwards. The fixture emits both downward and lateral light, thus illuminating itself.



Poul Henningsen

Poul Henningsen was born in Copenhagen by the famous Danish writer Agnes Henningsen. He never graduated as an architect, but studied at The Technical School at Frederiksberg, Denmark from 1911-14, and then at Technical College in Copenhagen from 1914-17.



Set location -
The Quest



Product info

Information

Colour of anti-glare disc: Classic, Monochrome Blue and Hues of Orange: Blue. Hues of Red and Hues of Rose: Green. Hues of Green and Hues of Blue: Red. Hues of Grey and Modern White: Rose. Monochrome Black: Black. Monochrome White: White. Copper version: Copper. Brass version: Brass. Colour of struts: Classic: Purple. Copper version, Brass version and Monochrome White: White. Monochrome Blue: Blue. Monochrome Black: Black. Modern White and Hues of colours: Bronze coloured. Cable and canopy: Monochrome Black: Black cable and canopy. All others: White cable and canopy. Please note that the copper and brass surface is untreated. This means that the surface will change over time and develop a patina. This process may have already begun when the product is delivered.

Mounting

Suspension type: Cable 2x1mm². Canopy: Yes. Cable length: 3m.

Finish

Classic (white) or Modern White: Matt powder coated. Monochrome Black, Monochrome Blue, Monochrome White, Hues of Blue, Hues of Green, Hues of Orange, Hues of Red, Hues of Rose: Matt wet painted. Metal versions: Polished brass or copper and white, matt powder coated. Please note that the copper and brass surface is untreated. This means that the surface will change over time and develop a patina.

Materials

Shades and anti-glare disc: Spun aluminium, spun copper or spun brass. Struts: rolled aluminium.

Sizes and weights

Width x Height x Length (mm) | 300 x 163 x 300 Max 2,0 kg

Class

Ingress protection IP20. Electric shock protection II w/o ground.

Light source

1x20W E14

Information

Colour of anti-glare disc: Classic, Monochrome Blue and Hues of Orange: Blue. Hues of Red and Hues of Rose: Green. Hues of Green and Hues of Blue: Red. Hues of Grey and Modern White: Rose. Monochrome Black: Black. Monochrome White: White. Copper version: Copper. Brass version: Brass. Colour of struts: Classic: Purple. Copper version, Brass version and Monochrome White: White. Monochrome Blue: Blue. Monochrome Black: Black. Modern White and Hues of colours: Bronze coloured. Cable and canopy: Monochrome Black: Black cable and canopy. All others: White cable and canopy. Please note that the copper and brass surface is untreated. This means that the surface will change over time and develop a patina. This process may have already begun when the product is delivered.



Product family



PH 5

Product variants

Colour	Cable type	Light source
<input checked="" type="radio"/> Brass	BLK TEX	1x20W E14
<input type="radio"/> Copper	WHT TEX	
<input type="radio"/> Hues of blue		
<input type="radio"/> Hues of green		
<input type="radio"/> Hues of grey		
<input type="radio"/> Hues of orange		
<input type="radio"/> Hues of red		
<input type="radio"/> Hues of rose		
<input type="radio"/> Monochrome black		
<input type="radio"/> Monochrome blue		
<input type="radio"/> Monochrome white		
<input type="radio"/> White classic		
<input type="radio"/> White modern		

Design

Poul Henningsen

Weight

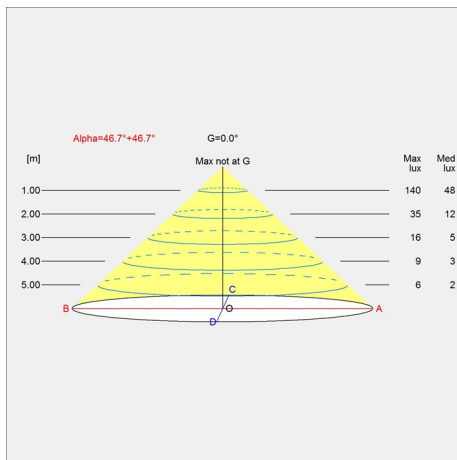
Min: 0.928 kg Max: 1.996 kg

Finish

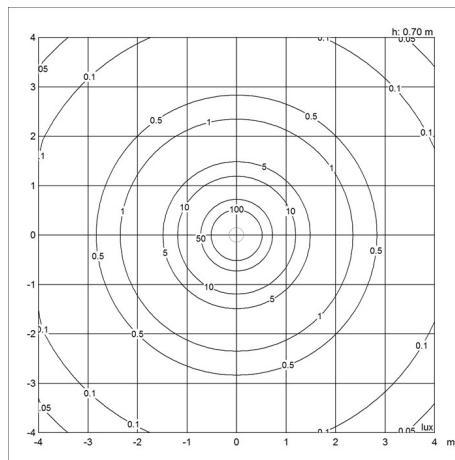
Brass, Copper, Hues of blue, Hues of green, Hues of grey, Hues of orange, Hues of red, Hues of rose, Monochrome black, Monochrome blue, Monochrome white, White classic, White modern

Light distribution diagrams

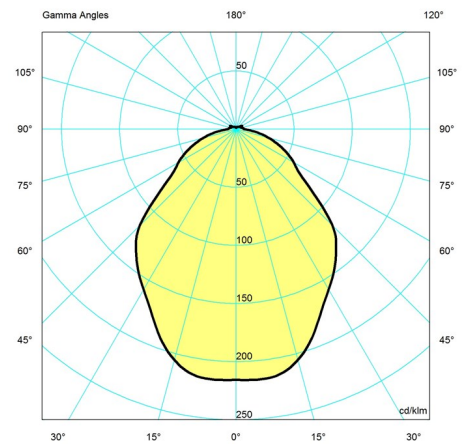
Cartesian



Isolux



Polar



Spare parts & accessories

Product

CANOPY WHITE 2-PART, TOPHAT ©

Variant number

5749329034