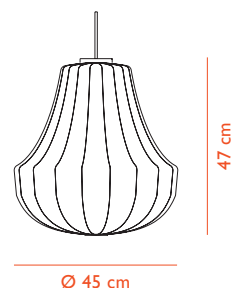


# Phantom Lamp Small - US Version



## DESCRIPTION

The dramatic Phantom lamps are made from a steel skeleton, around which an elastic resin is sprayed in closely-spaced threads, as a silkworm forms its cocoon. Tightly wrapped, the lamp's outline stands out like a mysterious echo of the original shape. The lamps emit an indirect, diffuse light that creates warm and atmospheric illumination.

## DESIGN

Simon Legald, 2018

## MATERIAL

Fire-Resistant Resin / Steel Frame

## CONSTRUCTION

The Phantom lamps are made by spraying thin threads of flame-retardant resin on a voluminous steel frame. Many layers of threads create the full lampshade and give it a textured exclusive finish. The light weighted lamps come assembled with a click cover for the bottom opening.

## MAINTENANCE

Phantom can be cleaned with a duster.

## CORD

4 m textile cord, white color.

## CANOPY

Included, white color, H: 7,7 x Ø: 9 cm 0,04 kg

## DIMMABLE FUNCTION

Yes - with dimmable light source. Ensure your dimmer is compatible with LED.

## VOLTAGE

120 V

## MAX LOAD

40 W

## FREQUENCY

60 Hz

## IP RATING

IP20

## CLASSIFICATION

Class I

## SOCKET

E26

## LIGHT SOURCE - RECOMMENDED

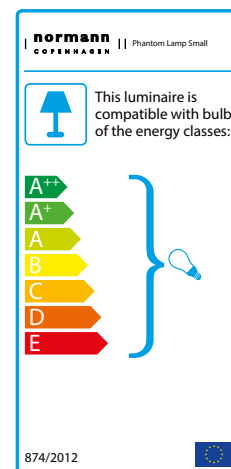
LED E26 US Ø 60 mm

Power: min 11 W

CCT: 3 000 K

Output: 800 lm

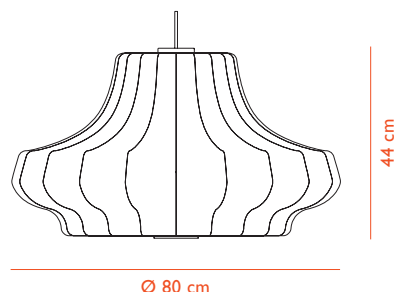
CRI: ~ 80



## COLOR



# Phantom Lamp Medium - US Version



## DESCRIPTION

The dramatic Phantom lamps are made from a steel skeleton, around which an elastic resin is sprayed in closely-spaced threads, as a silkworm forms its cocoon. Tightly wrapped, the lamp's outline stands out like a mysterious echo of the original shape. The lamps emit an indirect, diffuse light that creates warm and atmospheric illumination.

## DESIGN

Simon Legald, 2018

## MATERIAL

Fire-Resistant Resin / Steel Frame

## CONSTRUCTION

The Phantom lamps are made by spraying thin threads of flame-retardant resin on a voluminous steel frame. Many layers of threads create the full lampshade and give it a textured exclusive finish. The light weighted lamps come assembled with a click cover for the bottom opening.

## MAINTENANCE

Phantom can be cleaned with a duster.

## CORD

4 m textile cord, white color.

## CANOPY

Included, white color, H: 7,7 x Ø: 9 cm 0,04 kg

## DIMMABLE FUNCTION

Yes - with dimmable light source. Ensure your dimmer is compatible with LED.

## VOLTAGE

120 V

## MAX LOAD

40 W

## FREQUENCY

60 Hz

## IP RATING

IP20

## CLASSIFICATION

Class I

## SOCKET

E26

## LIGHT SOURCE - RECOMMENDED

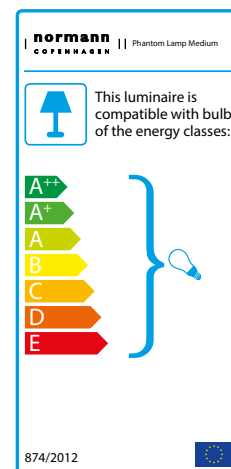
LED E26 US Ø 60 mm

Power: min 11 W

CCT: 3 000 K

Output: 800 lm

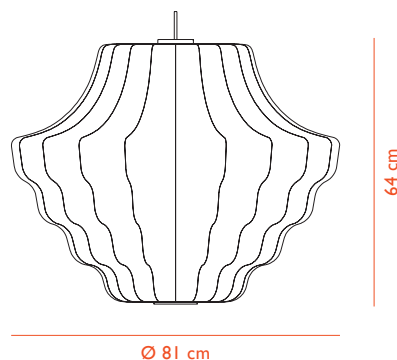
CRI: ~ 80



## COLOR



# Phantom Lamp Large - US Version



## DESCRIPTION

The dramatic Phantom lamps are made from a steel skeleton, around which an elastic resin is sprayed in closely-spaced threads, as a silkworm forms its cocoon. Tightly wrapped, the lamp's outline stands out like a mysterious echo of the original shape. The lamps emit an indirect, diffuse light that creates warm and atmospheric illumination.

## DESIGN

Simon Legald, 2018

## MATERIAL

Fire-Resistant Resin / Steel Frame

## CONSTRUCTION

The Phantom lamps are made by spraying thin threads of flame-retardant resin on a voluminous steel frame. Many layers of threads create the full lampshade and give it a textured exclusive finish. The light weighted lamps come assembled with a click cover for the bottom opening.

## MAINTENANCE

Phantom can be cleaned with a duster.

## CORD

4 m textile cord, white color.

## CANOPY

Included, white color, H: 7,7 x Ø: 9 cm 0,04 kg

## DIMMABLE FUNCTION

Yes - with dimmable light source. Ensure your dimmer is compatible with LED.

## VOLTAGE

120 V

## MAX LOAD

40 W

## FREQUENCY

60 Hz

## IP RATING

IP20

## CLASSIFICATION

Class I

## SOCKET

E26

## LIGHT SOURCE - RECOMMENDED

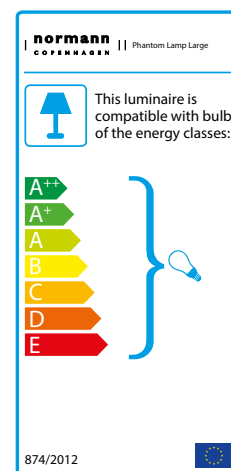
LED E26 US Ø 60 mm

Power: min 11 W

CCT: 3 000 K

Output: 800 lm

CRI: ~ 80



## COLOR

