

LTS SYSTEM TABLE WOODEN LEGS

enea

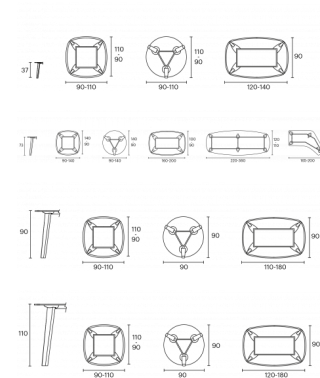
BY Estudi Manel Molina



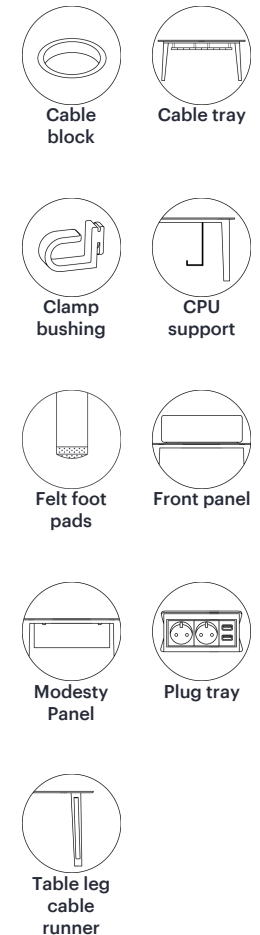
Structures

- Oak or birch plywood legs, 40 or 24 mm thick
- Metal frame with special rectangular tube 40x20x1.5 mm, made of cold rolled steel
- Semi-automatic steel robot welding with gas-controlled steel wire input
- Oak plywood tops, polyurethane varnish, stained, natural finish and base, semi-matt gloss with ultraviolet and anti-yellowing treatment, 16 mm, quality E1. Also available in HPL and Fenix.
- Die-cast aluminium leg and structure joint supports L-2630 UNE 38-263
- UNE-EN 15372:2016

Measures



Accessories



With varying heights and finishing options, LTS System table with natural or stained oak or birch wooden legs, represents the perfect way to create individual custom spaces thank to its different forms. The different accessories available for offices make this table perfect for any type of workspace.

[Click here to see all the finishes of LTS System table wooden legs](#)

LTS SYSTEM TABLE STEEL LEGS

enea

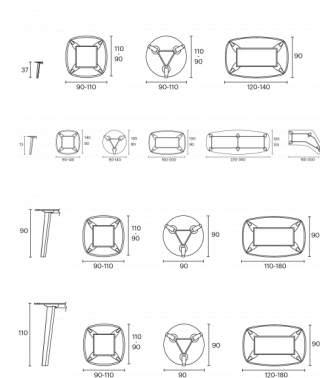
BY Estudi Manel Molina



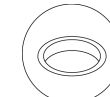
Structures

- 70x30x2 mm oval cold rolled steel legs
- Metal frame with special rectangular tube 40x20x1.5 mm, made of cold rolled steel
- Semi-automatic steel robot welding with gas-controlled steel wire input
- Oak plywood tops, polyurethane varnish, stained, natural finish and base, semi-matt gloss with ultraviolet and anti-yellowing treatment, 16 mm, quality E1. Also available in HPL and Fenix.
- Die-cast aluminium leg and structure joint supports L-2630 UNE 38-263
- UNE-EN 15372:2016

Measures



Accessories



Cable block



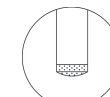
Cable tray



Clamp bushing



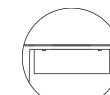
CPU support



Felt foot pads



Front panel



Modesty Panel



Plug tray



Table leg cable runner

With varying heights and finishing options, LTS System table with steel legs lacquered in any of our colours represents the perfect way to create individual custom spaces thanks to its different forms. The different accessories available for offices make this table perfect for any type of workspace.

[Click here to see all the finishes of LTS System table steel legs](#)