

M POD



MATERIALS

Exterior

Painted sheet metal

Frames

Aluminum

Carpet

Anti-static and stain resistance low loop pile carpet for the floor

Walls and roof

A sandwich element of sheet metal, fire rated gypsum board, recycled acoustic foam and acoustic felt

Glass

10mm safety glass with aluminum frame

Door

Back painted 6mm tempered glass with alu frame

MEASUREMENTS

Exterior

2200mm*1200mm*2200mm (width, depth, height)

Interior

2100mm*1060mm*2080mm (width, depth, height)

Doorway

840mm width

Regular table

500mm*700mm*25mm (width, length, thickness)

Weight

600kg

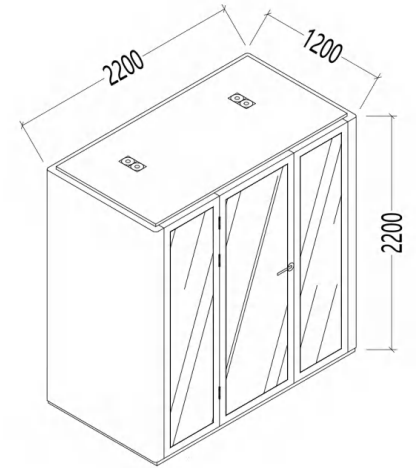
Package size

2.26CBM

2250mm*1240mm*810mm (length, width, height)

Container loading qty

8 sets/20GP, 18 sets/40G, 27 sets/40HQ



POWER

Power consumption

18W while in use (Standard configuration)

- LED light: 6W

- Fans (4 pcs) in total: 12W

3 meter wire

Table outlets

Power socket (Universal, country-specific), USB

Optional: LAN, type C

Ventilation

Total air flow is 2680L/minute; Air Replaced every 1.8 minute.

Lighting

Inductive LED light: 4000K

COLOR

Exterior



White (Standard)



Black (Standard)



Wood-grain (Standard)

*Color can be customized as per RAL color code.

Interior



GP 18
(Standard)



GP 03



GP 22



GP 27



GP 08



GP 26



GP 46



GP 05



GP 20



GP 06



GP 12



GP 15

Desktop



White (Standard)



Black



Wood-grain (0725)

Sofa



1333
(Standard)



1300



1302



1313



1320



1321



1309



1318

Carpet



Grey (Standard)



Grey+Blue



Front view



Back view



Oblique view



M POD

C O N T E N T

	PAGE
Office Pod A Necessity for Modern Office Spaces	04
Ecofriendly <small>Aware of eco-friendly product makes your office or home environment safer.</small>	06
Quiet <small>Uses different acoustic materials to keep privacy for you.</small>	08
Comfortable <small>With ventilation fans, the pod brings fresh air to make environment comfortable.</small>	10
Convenient <small>The R&D team design the pod as prefab structure to save your time and cost.</small>	12
S Pod <small>Suitable for one person to phone call.</small>	16
Work Pod <small>Suitable for one person to phone call, daily work.</small>	22
M Pod <small>Suitable for two to four person to brainstorm.</small>	28
L Pod <small>Suitable for four to six person to meeting.</small>	34
Product Add-ons <small>Provides customization service.</small>	40

ABOUT US

Revolutionizes the open office with state-of-the-art spaces designed to enhance productivity, creativity, and collaboration.

Offers a turnkey and flexible solution, which upgrades rooms to suit a variety of needs. We are a team of experts who strive to produce the highest-quality and most affordable products on the market.



Office Pod A Necessity for Modern Office Spaces

Office pods are semi-private booths or small cabins where employees may hold small group meetings or find some private space to work. These pods are independent units that allow workers to work in a remote environment, away from any distraction from public spaces. Unique designs like a portable office pod make them ideal for optimizing office space.



When you work in a modern open-plan office, stress and anxiety can easily creep up. This is particularly true for most introverts. Trying to focus among the hustle and bustles of an open office space can be agonizing for people who work better in a peaceful environment.

A significant lack of privacy may cause anxiety for those who constantly worry that the manager can check everything they are doing at all times. Some people simply need a break from constantly interacting with their coworkers throughout the day.

A modern open-plan office isn't only stressful for employees. It may also leave a negative effect on their concentration levels leading to less productivity. Providing a peaceful, distraction-free office is a must for high-performing employees. Private spaces can help with their uninterrupted thinking.

A quiet office pod, on the other hand, is a cost-effective and flexible alternative. Employees can work from their main office on tasks that don't require utmost concentration. But when they do, they can move to private pods when they must get some work done.

The pod is aware of eco-friendly product causes less damage to the environment and makes your office or home environment safer. The pod use main materials as metal panel, aluminum profile, safety glass and acoustic panels without wood and glue.

When you choose the pod made with minimal amounts of chemicals, you'll get less harmful pollutants, like volatile organic compounds (VOCs), released into your office's air. Paints, fabrics, furniture, carpets and building materials can all release VOCs that cause allergies, migraines and asthma in people. According to a report by the European Respiratory Review, "The possible health effects of indoor VOC exposure are a cause for concern, given that people in general, and children in particular, now spend most of their time indoors."

Improve workers' health and wellbeing

When you choose sustainable office furniture made with minimal amounts of chemicals, you'll get less harmful pollutants, like VOCs, released into the air. VOCs can have a detrimental impact on workers' health, causing symptoms such as headaches, fatigue and nausea. Formaldehyde is one particularly concerning VOC that has been linked to cancer. It is often found in adhesives and paints used during the manufacturing process.

One study found that:
 "Indoor environmental quality parameters in an office, such as low total VOCs, high ventilation and low carbon dioxide all lead to better cognitive performance."

By making sustainable choices when buying office furniture, you can enhance the experience of workers, boost productivity and improve the quality of their lives - all while reducing demand on the environment.

Test result

OSHA PEL 2

Formaldehyde	0.008 mg/m ³	0.614 mg/m ³
Benzene	0.0034 mg/m ³	3.195 mg/m ³
Methylene chloride	0.0262 mg/m ³	87 mg/m ³
Toluene	0.0333 mg/m ³	638 mg/m ³
n_Hexane	0.129 mg/m ³	1800 mg/m ³

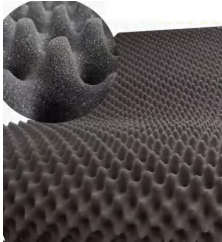
① The test was performed by SGS-CSTC Standards Technical Services (Shanghai) Co., Ltd as per ISO16000-6.

ECO-FRIENDLY

Preventing deforestation

The role of forests is fundamental for the conservation of the planet, not only because they retain 45% of the carbon of the earth's surface, but also because they contain a large amount of flora and fauna that we must protect. That's why choosing eco-friendly office pod prevents massive deforestation and illegal logging of endangered species. It is very important to make sure that the product materials used to make this type of furniture comes from sustainably managed forests, which promote the replanting of trees without contributing to deforestation.

01



02



01

Egg Crate Acoustic Foam

Foam absorbs noise for excellent sound and noise control and also reduces reverberation times. Egg crate foam soundproofing is widely used in recording studios, home theaters, broadcasting studios, and many other industrial and commercial applications.



03

02

A sandwich element chassis

A sandwich element of sheet metal, fire rated gypsum board, recycled acoustic foam and acoustic felt which reach good soundproof.

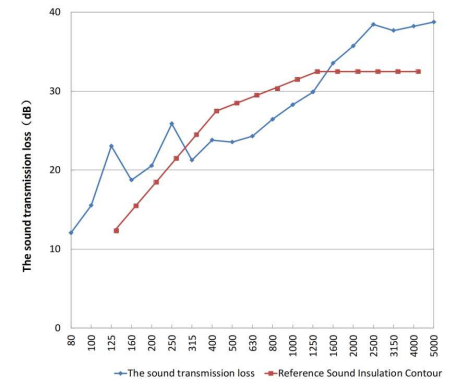
03

Acoustic Absorption Panel

Composed of compressed mineral wool or foam, sound absorbing acoustic panels absorb sound waves to reduce general noise, clarify speech and limit reverberation in walls within enclosed areas.

QUIET

The noise reduction of the tested specimen are plotted as follows,



STC 30dB (±5dB)

KEEP PRIVACY

If you've ever worked in an office, you'll know that some conversations are difficult to have in front of your colleagues – whether it's because you get nervous talking in front of other people, or if there's sensitive client information you need to discuss privately. This is where a booth comes in handy.

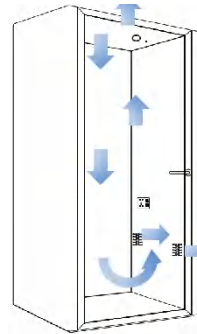
Booths that support noise occlusion offer a safe, secure space to give employees the privacy they desire and also prevent disrupting everyone else in the office too. It's a win-win!

Let's face it – a big drawback of an open office is the constant noise. When you're working on something that requires your undivided attention, there is nothing more distracting than your colleagues on the phone or the subtle buzz of people chatting away nearby. A work booth provides a much-needed quiet spot where employees can sit down to get some work done without being interrupted. So, if you're looking for ways to boost individual focus and work performance, adding a work pod to your office is an efficient way to do so!

COMFORT- ABLE

Improving concentration & productivity

We get distracted every 11 minutes and 25% of lost time is due to distractions in or near work areas. Providing a place where people can go to escape visual and audio disruptions will help keep concentration and productivity in order. Creating a comfortable work setting which is designed in response to common workplace issues is an effective way to improve employee experience and job satisfaction.



VENTILATION FANS

This works to bring fresh air from the outside and into the enclosed pod. It helps circulate air through the pod inside, which prevents individuals from breathing stuffy, less oxygenated air.



ERGONOMIC DESIGN

Ergonomic furniture works to fix employees' posture, realign their spine, prevent arthritis and reduce the number of work-related injuries overall.

6
pre-fab modules

4
casters

2
hours assembly

CON- VENIENT



CHOOSE PRE-FAB PODS

We R&D team design the pod as prefab structure. Prefabrication allows us to work in a controlled environment, utilizing standardized processes. It also allows us to set up standardized checks all the way through manufacturing to assembly.

We have found that prefabrication typically has 25% schedule savings. Having knowledge of how long each component takes to design, fabricate, and deliver is a key element in these savings. Fewer errors and greater efficiencies translate to high cost savings for you.



SAVE TIME

The installation of prefab pod is quick and efficient. You're not waiting for someone to measure, cut, and assemble each panel. The entire prefab component is easily installed by a small crew in just hours.



PORTABLE

Thanks to casters and lightweight design, you can easily move them for use in various places throughout your office—or to an entirely new location.



SAVE COST

Pre-fab booths and rooms are becoming the industry standard. It not only saves material cost, but also labor, delivery and storage cost for its high modular panels.

POD



The design's Customization Service provides an enhanced user experience, including customize color, size, electrics, hardwares, etc. We also accept to add logo film on the glass door or side wall of pod to make your company own pod.

PRODUCT ADD-ONS



MOUNT DISPLAY

Work pod and meeting pod series are suitable place for making video meeting. The R&D team designs an openable panel for electronic devices and easy maintenance, on which display, speaker, light switch can be attached. Available for work pod, M pod, L pod and other big size pod.

MAGNETIC WHITEBOARD

Magnetic whiteboards are handy tools that allow you to write important notes, appointments and ideas down and quickly erase them without leaving a mark. Available for all pod types.



STANDING DESK

Standing desks help improve mood and energy levels which help people work comfortable and even may boost productivity with adjustable height. Available for work pod and meeting pod.



SMART POD

Integrated with touch screen display, EM lock and intelligent system, the pod can be booked by apps on the phone. Available for work pod and meeting pod.



WIRELESS CHARGER

Integrate on the pod desktop, you only need to gently lean the phone on the charger, and the current will be continuously charged into the phone. Available for all pod series.

XTRA

www.xtra.com.sg

XTRA Designs Pte Ltd
6 Raffles Boulevard
02-240 Marina Square
Singapore 039594

CONTACT US

E-mail: contract@xtra.com.sg

Website: www.xtra.com.sg

STANDARD CONTRACT

2021 V2.0

www.xtra.com.sg

STANDARD CONTRACT

2021 V2.0

www.xtra.com.sg

STANDARD CONTRACT

2021 V2.0

www.xtra.com.sg